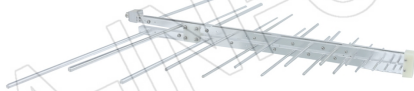
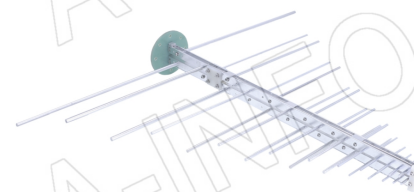


For reference only. See data sheet for the detailed specifications.

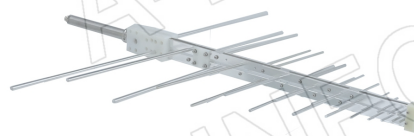
Technical Specification



P/N:DS-25100	
Frequency Range(GHz)	0.25 - 1.0
Gain(dBi)	6 Typ.
Polarization	Linear
3dB Beamwidth(deg)	E Plane: 79 - 51
	H Plane: 145 - 104
VSWR	1.5:1 Typ. / 2.0:1 Max.
Output	N-Female
Average Power(W CW)	300
Peak Power(KW)	3
Material	Al
Size(mm)	739 x 52 x 649
Net Weight(Kg)	0.80 Around



P/N:DS-25100C	
Frequency Range(GHz)	0.25 - 1.0
Gain(dBi)	6 Typ.
Polarization	Linear
3dB Beamwidth(deg)	E Plane: 79 - 51
	H Plane: 145 - 104
VSWR	1.5:1 Typ. / 2.0:1 Max.
Output	N-Female
Average Power(W CW)	300
Peak Power(KW)	3
Material	Al
Size(mm)	739 x 100 x 641
Net Weight(Kg)	1.0 Around



P/N:DS-25100E	
Frequency Range(GHz)	0.25 - 1.0
Gain(dBi)	6 Typ.
Polarization	Linear
3dB Beamwidth(deg)	E Plane: 79 - 51
	H Plane: 145 - 104
VSWR	1.5:1 Typ. / 2.0:1 Max.
Output	N-Female
Average Power(W CW)	300
Peak Power(KW)	3
Material	Al
Size(mm)	739 x 52 x 883
Net Weight(Kg)	1.25 Around

AINFO Inc.

China(Beijing): Tel: (+86) 10-6266-7326,
 China(Chengdu): Tel: (+86) 28-8519-2786,
 USA : Tel: (+1) 949-639-9688,

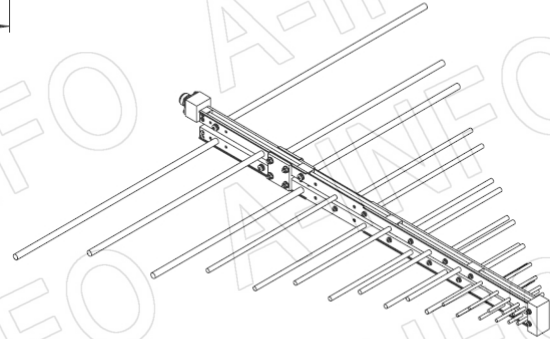
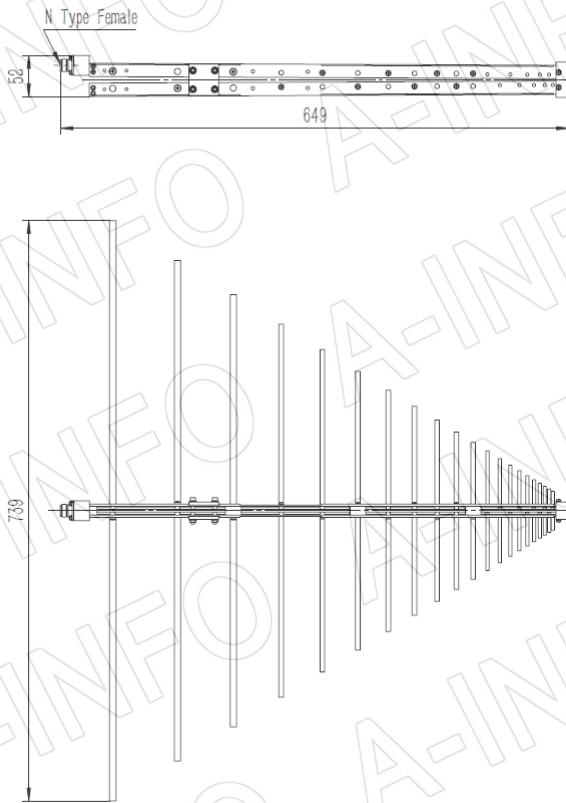
Page 1 of 7

(+86) 10-6266-7327 Fax: (+86) 10-6266-7379
 (+86) 28-8519-3044 Fax: (+86) 28-8519-3068
 (+1) 949-639-9608 Fax: (+1) 949-639-9670

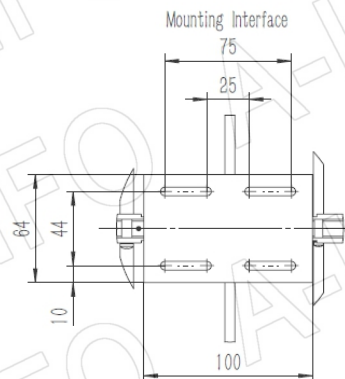
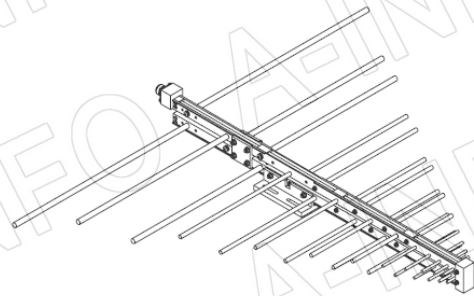
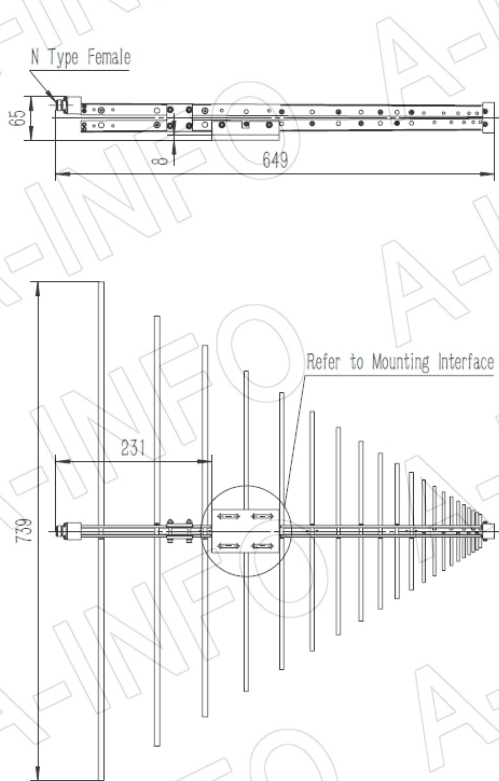
Website: www.ainfoinc.com
 Email: sales@ainfoinc.com

Outline Drawing (Size: mm)

DS-25100 (P/N: DS-25100)



DS-25100 with Mounting Bracket (Option, P/N: DS-20200-MB)



AINFO Inc.

China(Beijing):
China(Chengdu):
USA :

Tel: (+86) 10-6266-7326,
Tel: (+86) 28-8519-2786,
Tel: (+1) 949-639-9688,

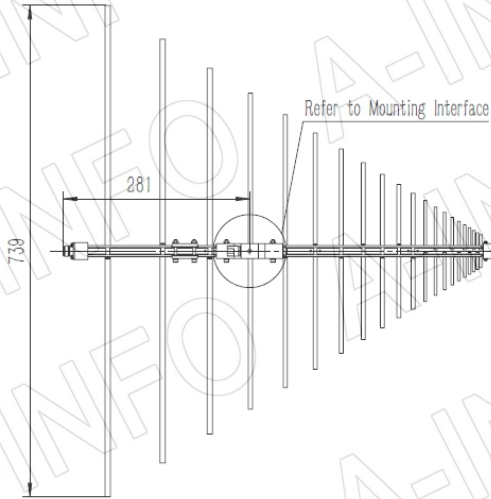
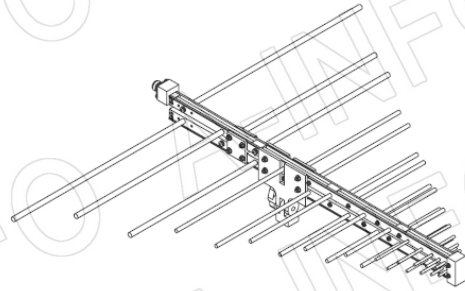
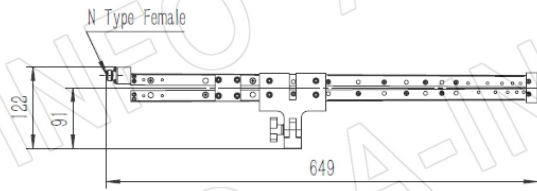
(+86) 10-6266-7327
(+86) 28-8519-3044
(+1) 949-639-9608

Page 2 of 7

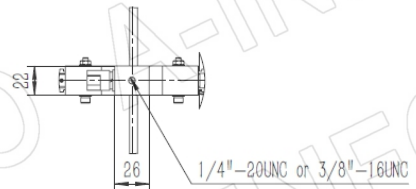
Fax: (+86) 10-6266-7379
Fax: (+86) 28-8519-3068
Fax: (+1) 949-639-9670

Website: www.ainfoinc.com
Email: sales@ainfoinc.com

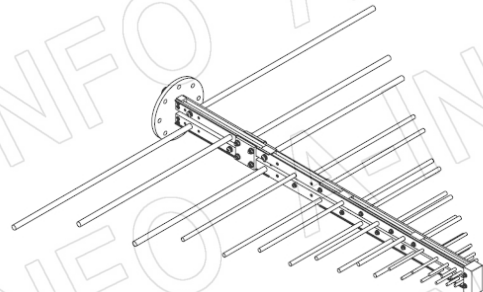
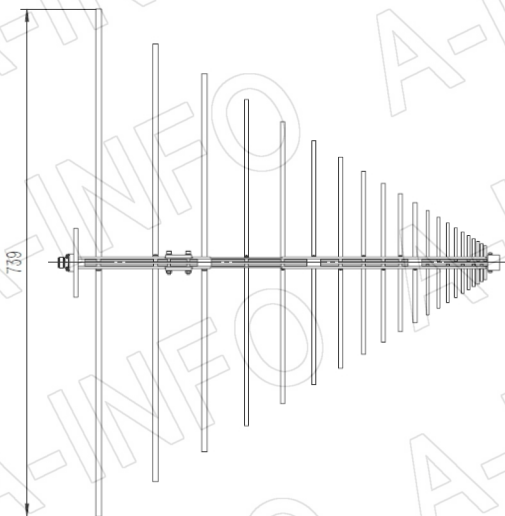
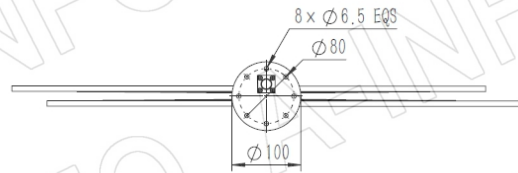
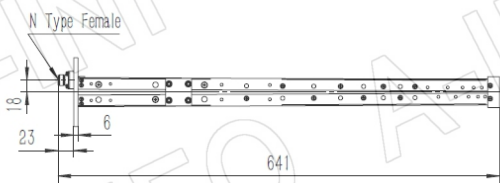
DS-25100 with Mounting Bracket for Tripod Application (Option, P/N: DS-20200-MBA)



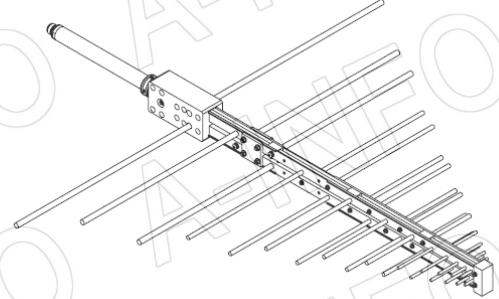
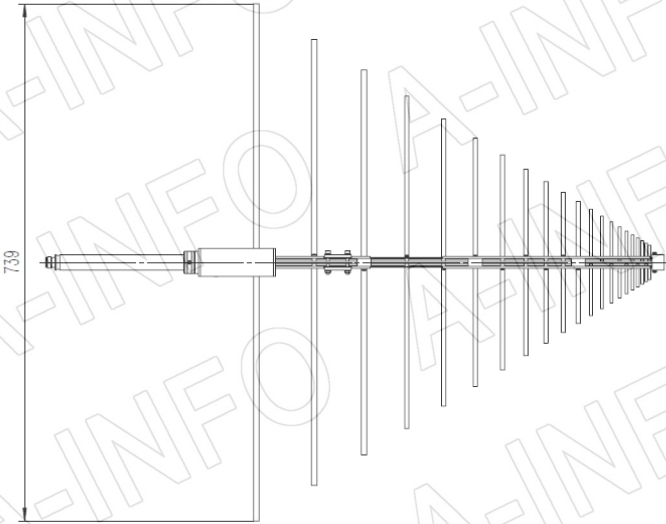
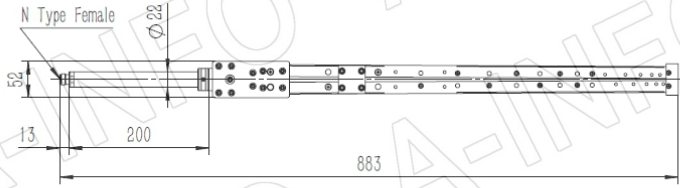
Mounting Interface



DS-25100C (P/N: DS-25100C)

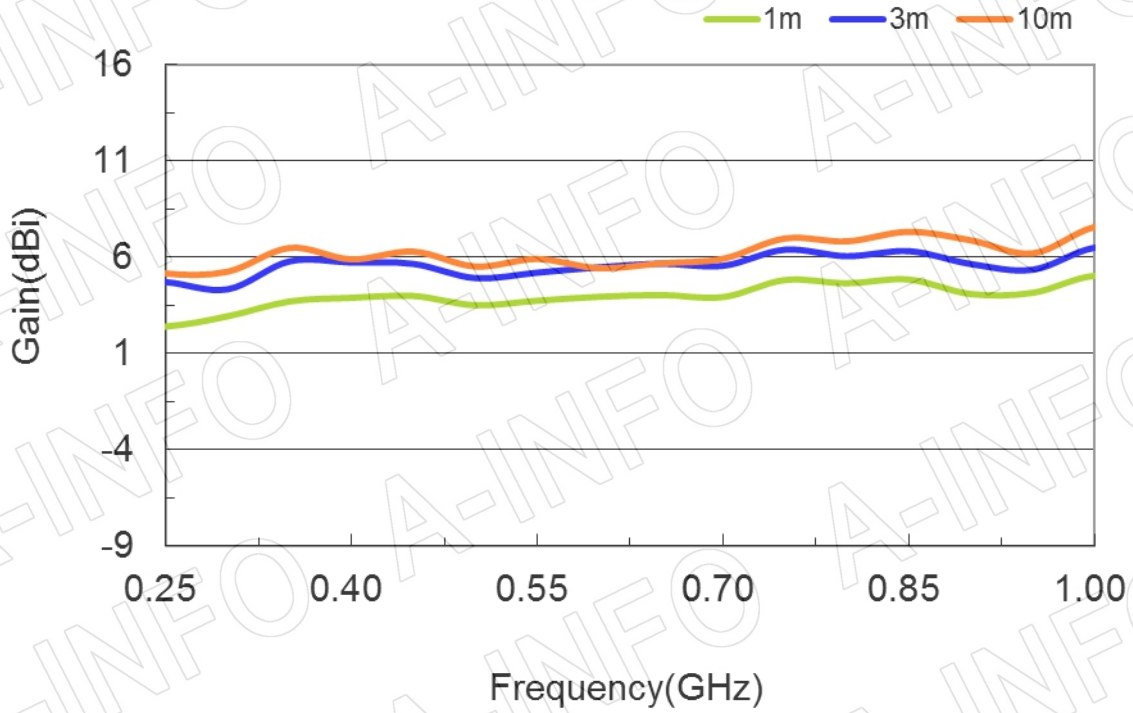


DS-25100E (P/N: DS-25100E)

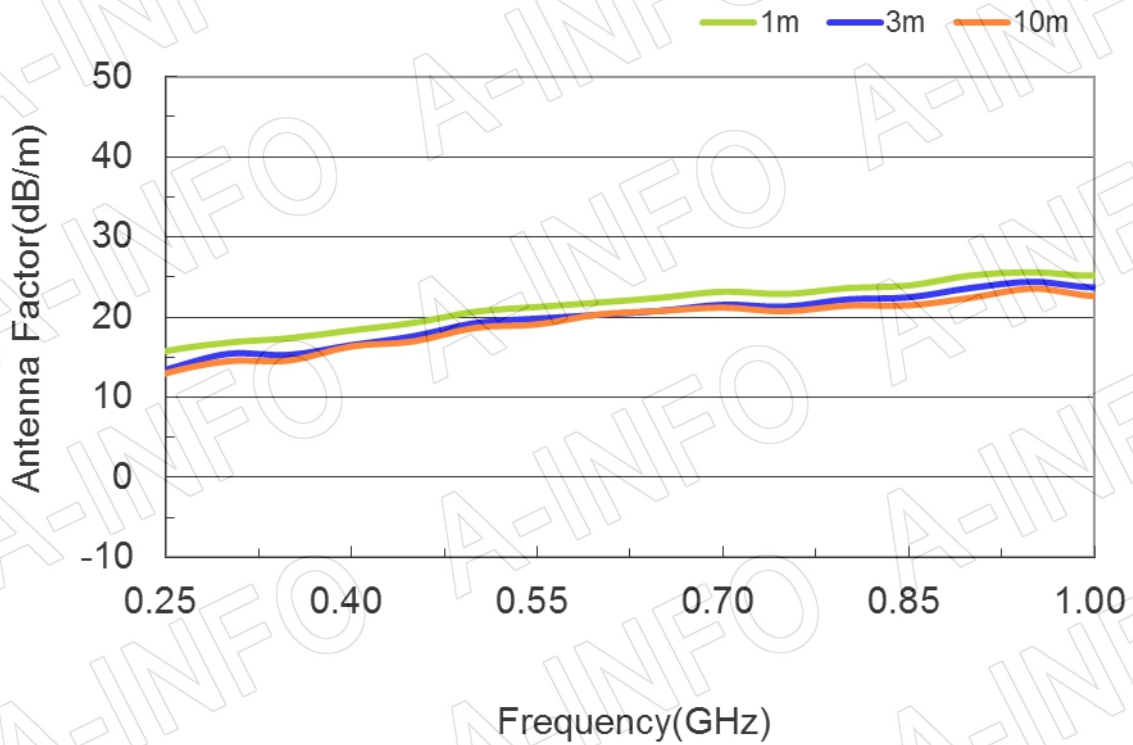


Test Results

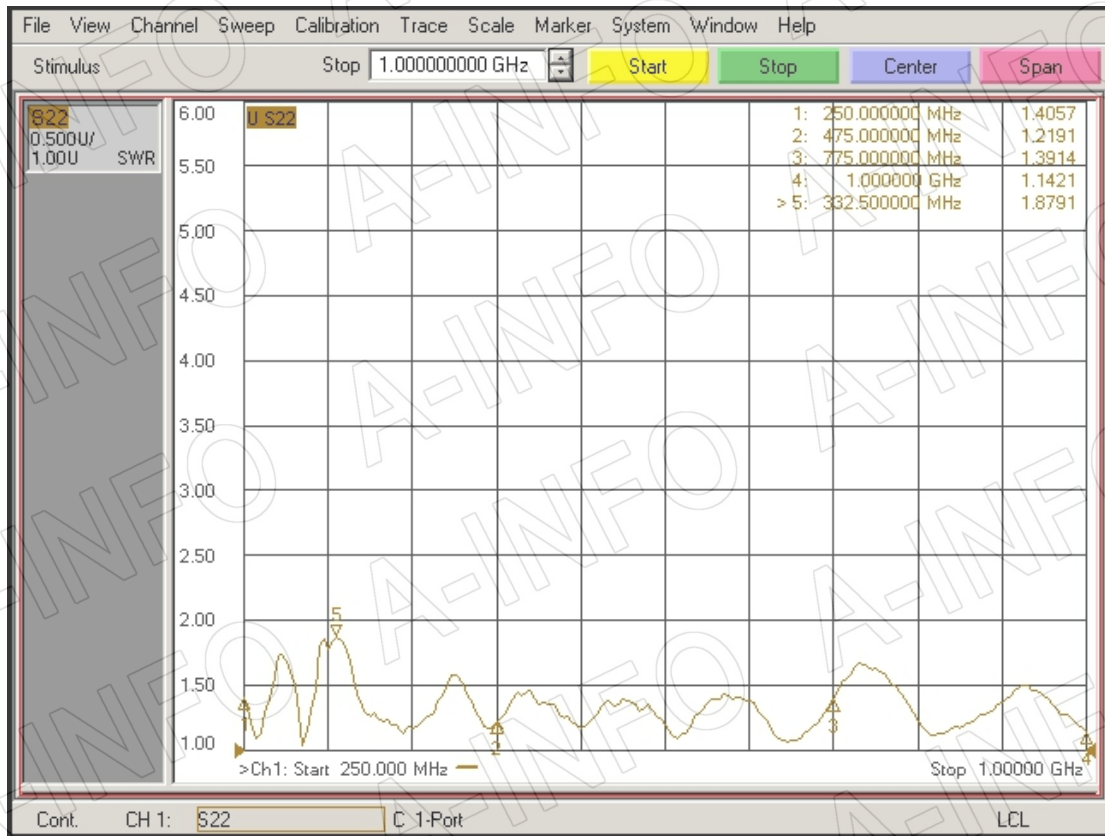
1. Gain



2. Antenna Factor



3. VSWR



4. Pattern

